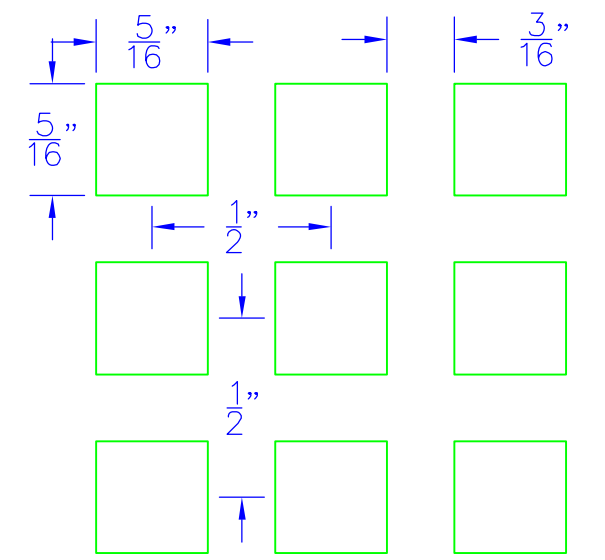
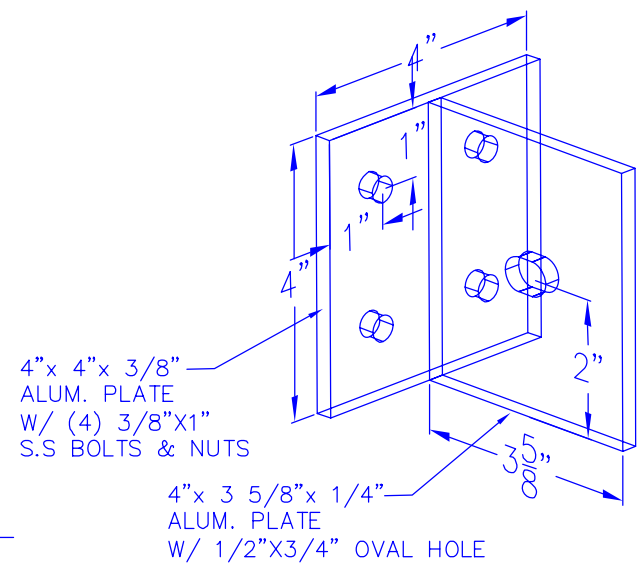


**ALUM. CANOPY**  
 WITH: - C6" ALUM. CHANNEL 6063-T5 1/4" WALL  
 2"x4"x1/8"WALL ALUM. TUBES 6063-T5  
 ALL WELDED TOGETHER.  
 - 16 GA. ALUM. PERFORATED SHT.  
 ALL 2-COAT KYNAR FINISH. COLOR: DUNN EDWARDS  
 DEC 779 WLLDLAWN GREEN LRV VALUE 9  
 ALL DIMENSIONS: VERIFY IN FIELD.



**B & C AWNING, INC.**  
 3082 EAST MIRALOMA AVE.  
 ANAHEIM, CA 92806  
 TEL: (714) 632-3303  
 FAX: (714)632-5632

JOB NAME: 27026 UC IRVINE BALL FIELD  
 CONSTRUCTOR: ---

DATE: -/-/-  
 SHEET NO.: -/-

THESE SHOP DRAWINGS ARE PRESENTED IN ORDER TO MORE PERFECTLY AGREE, THEY DEFINE IN DETAIL B & C AWNINGS SCOPE OF WORK, THEY BECOME THE FINAL DEFINITIVE AGREEMENT, COMPLETE INVENTORY OF WHAT BUYER/AGENT/CONTRACTOR AGREES TO BUY, SUPERSEDE ALL PLANS, SPECIFICATIONS PRIOR TO APPROVAL DATE. IN APPROVING/ STAMPING THESE DRAWINGS AGENT/BUYER AGREES TO ABOVE STATEMENTS ALSO AGREES CLAIMS AGAINST B & C AWNINGS INC. THEIR HEIRS AND ASSIGNEES TO INDEMNIFY AGENT/ CONTRACTOR, PAY ATTORNEY FEES OR DEFEND AGAINST LEGAL ACTIONS ASSOCIATED OR EMANATING THERE FROM IS LIMITED TO THE WARRANTY PERIOD PROVIDED HEREIN, FUTURE UNRESOLVED DISPUTES BEING ADDRESSED IN THE ORANGE COUNTY COURT JURISDICTION AS FORUM.