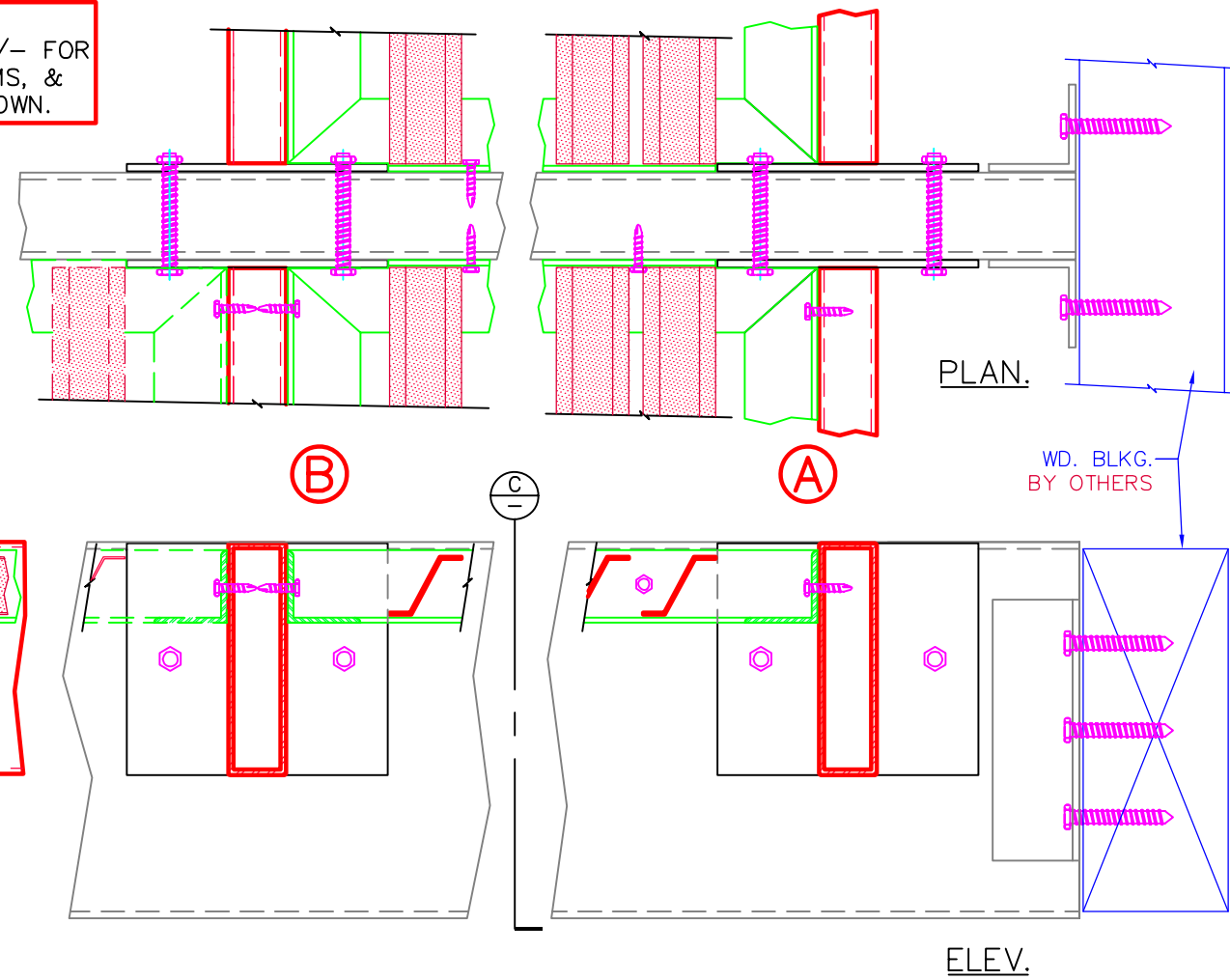
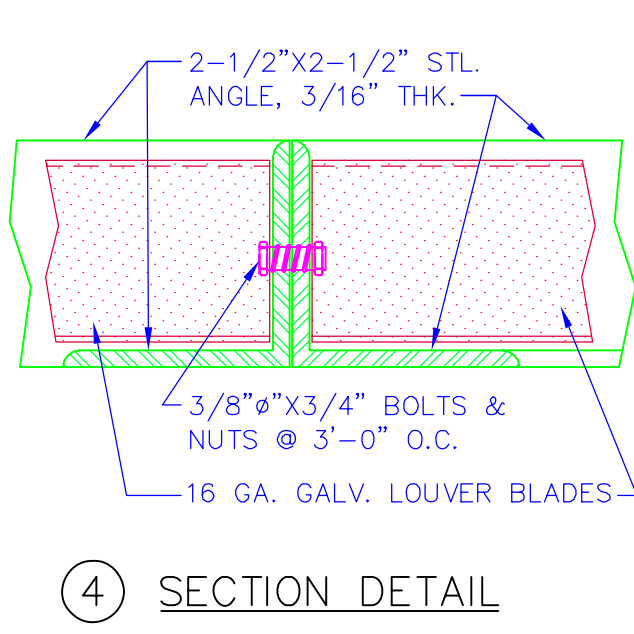


② TRELIS DETAIL

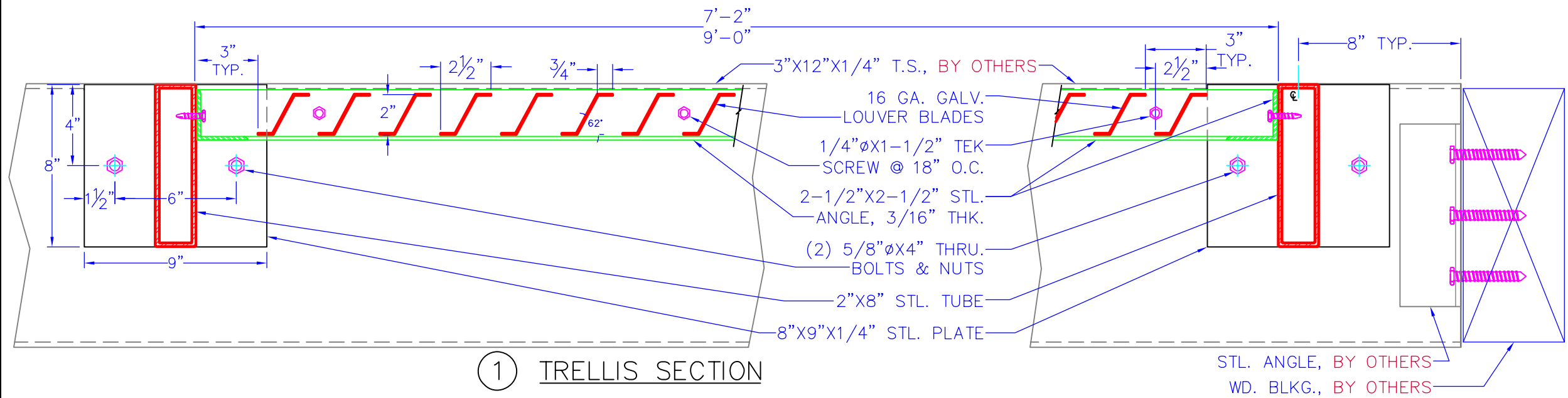
NOTES:  
 -REFER TO DETAIL 2/- FOR TYPICAL NOTES, ITEMS, & DIMENSIONS NOT SHOWN.



③ TRELIS DETAIL



④ SECTION DETAIL



① TRELIS SECTION

B & C AWNING, INC.  
 3082 EAST MIRALOMA AVE.  
 ANAHEIM, CA 92806  
 TEL: (714) 632-3303  
 FAX: (714)632-5632

JOB NAME:  
 27023 PALM SPRINGS HEALTH CLINIC  
 PALM SPRINGS, CA.  
 CONSTRUCTOR: ---

DATE: --/--  
 SHEET NO.: --/--

THESE SHOP DRAWINGS ARE PRESENTED IN ORDER TO MORE PERFECTLY AGREE, THEY DEFINE IN DETAIL B & C AWNINGS SCOPE OF WORK, THEY BECOME THE FINAL DEFINITIVE AGREEMENT, COMPLETE INVENTORY OF WHAT BUYER/AGENT/CONTRACTOR AGREES TO BUY, SUPERSEDE ALL PLANS, SPECIFICATIONS PRIOR TO APPROVAL DATE. IN APPROVING/ STAMPING THESE DRAWINGS AGENT/BUYER AGREES TO ABOVE STATEMENTS ALSO AGREES CLAIMS AGAINST B & C AWNINGS INC. THEIR HEIRS AND ASSIGNEES TO INDEMNIFY AGENT/ CONTRACTOR, PAY ATTORNEY FEES OR DEFEND AGAINST LEGAL ACTIONS ASSOCIATED OR EMANATING THERE FROM IS LIMITED TO THE WARRANTY PERIOD PROVIDED HEREIN, FUTURE UNRESOLVED DISPUTES BEING ADDRESSED IN THE ORANGE COUNTY COURT JURISDICTION AS FORUM.